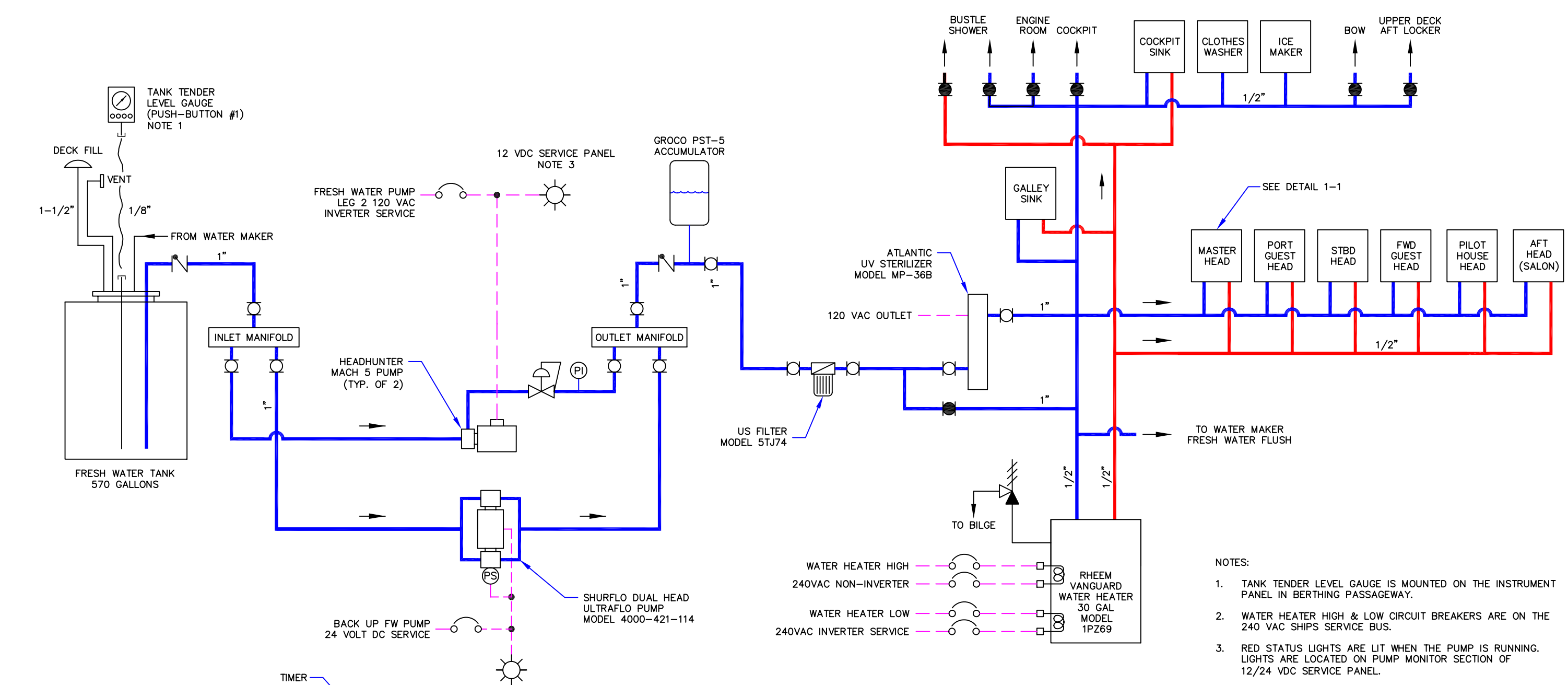
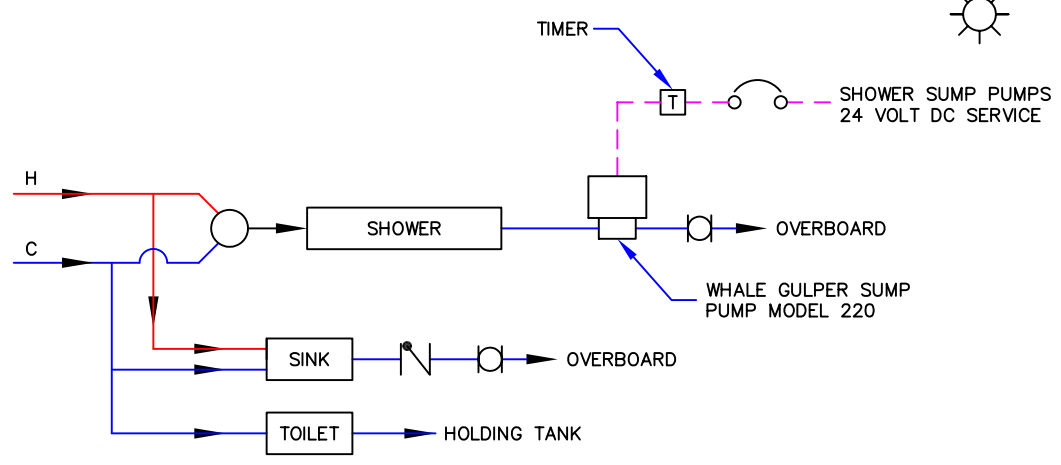


REVISIONS			
REV	DESCRIPTION	DATE	REV BY
0	INITIAL ISSUE	12-04-04	TC



- NOTES:
1. TANK TENDER LEVEL GAUGE IS MOUNTED ON THE INSTRUMENT PANEL IN BERTHING PASSAGEWAY.
  2. WATER HEATER HIGH & LOW CIRCUIT BREAKERS ARE ON THE 240 VAC SHIPS SERVICE BUS.
  3. RED STATUS LIGHTS ARE LIT WHEN THE PUMP IS RUNNING. LIGHTS ARE LOCATED ON PUMP MONITOR SECTION OF 12/24 VDC SERVICE PANEL.
  4. ACCUMULATOR TANK IS UNDER THE OWNERS BERTH.
  5. MANIFOLDS ARE MOUNTED ON ENGINE ROOM FORWARD BULKHEAD PORT SIDE.
  6. PUMPS, STRAINERS, WATER HEATER AND FILTER LOCATED INSIDE ENGINE ROOM FORWARD ALCOVE PORT SIDE.



**DETAIL 1-1 HEAD SCHEMATIC**  
(TYP. OF STATEROOM HEADS. PILOT HOUSE HAS SINK AND TOILET ONLY.)

**NORDHAVN 62 FRESH WATER SYSTEM**

**PACIFIC ASIAN ENTERPRISES**  
PO BOX 874, AT-THE HARBOR, DANA POINT, CALIFORNIA 92629  
PH (949)496-4848 FAX (949)240-2398

SIZE B	PRJ. NO. N6230	DWG NO. 62FWS-6230	DWG. TC
SCALE: NTS	DATE: SEE ABOVE	REV: SEE ABOVE	SHEET: 1 OF 1